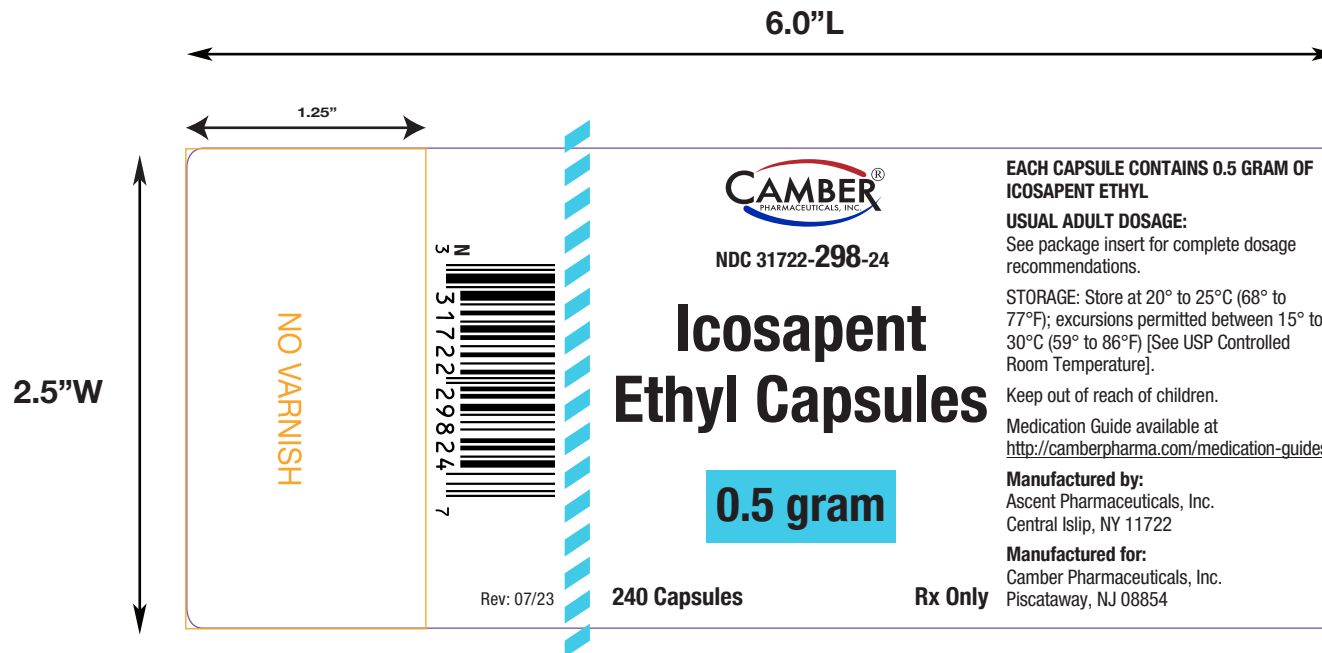

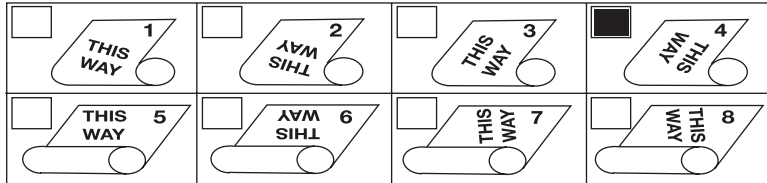
 92 North Main Street, Windsor, NJ-08561 Phone #609-448-9400 Fax #609-448-9600	Pr oof #	1	Pr oof Dat e	7/21/23 2:00 PM
	Artwork Prepared by	SS	Job Number	MGL 18071
	Manufactured FOR	Camber	Manufactured BY	Ascent



Customer Description	240s Count Container Label for Icosapent Ethyl Capsules 0.5 g (Camber-Ascent) REV 07/23						
Customer Name	Camber	NDC #	31722-298-24	REVISION #	07/23	# of COLOR	5
Label Size	2.5" x 6.0"	UPC CODE #	331722298247	CUSTOMER ITEM #	31986	BARCODE TYPE	UPC-A
COLORS <input type="checkbox"/> CYMK <input type="checkbox"/> SPOT  Note: Proof colors do not represent exact PMS colors. Please refer to the current PMS guide.				REWIND DIRECTION 			
SPECIAL INSTRUCTIONS & NOTES No Varnish area is 1.25" x 2.5"				The above proof is verified and the same is ; <input type="checkbox"/> Approved OK to Print. <input type="checkbox"/> Approved OK for FDA submission only. <input type="checkbox"/> Changes required submit revised proof.			
CUSTOMER							
Verified By (Name & Sign)				Approved By (Name & Sign)			
FOR MEDLIT GRAPHICS ONLY							
HISTORY:							
Noted Changes							

DISCLAIMER: Medlit Graphics has checked this artwork for accuracy. Final approval is the Client's responsibility. Please double check for any errors. Client assumes all and any risks for compliance with federal, state and local packaging, advertising and labeling laws, regulation and rules. Client relies and acts upon information, opinion or suggestion at its own risk.